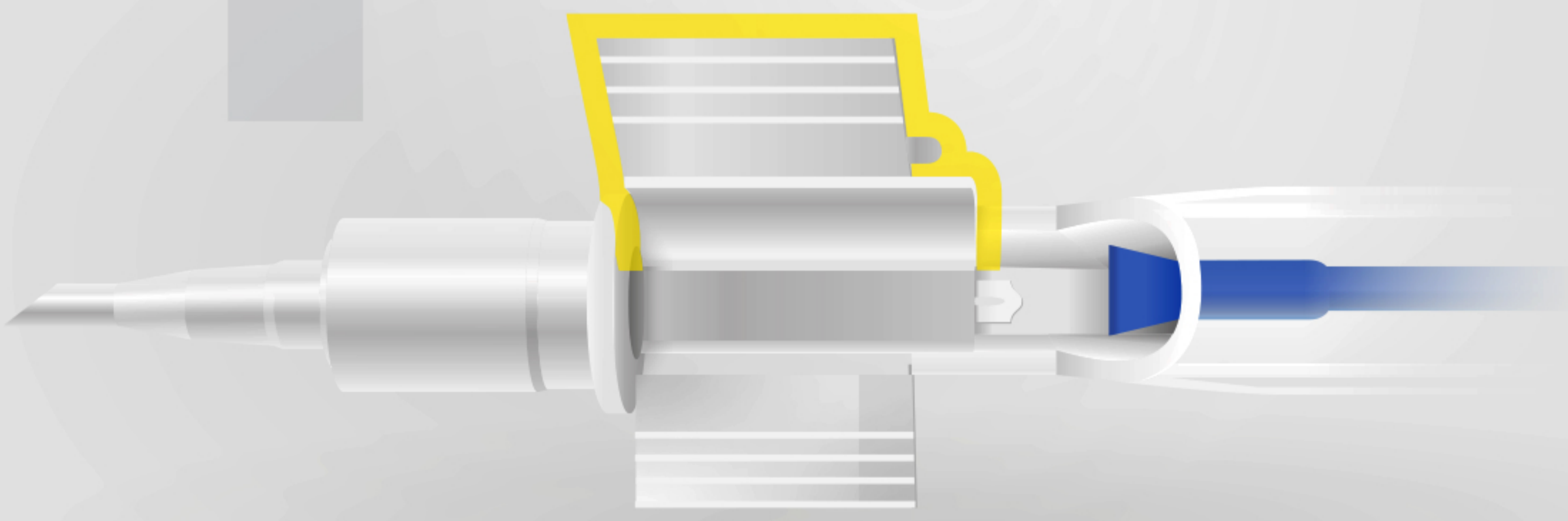


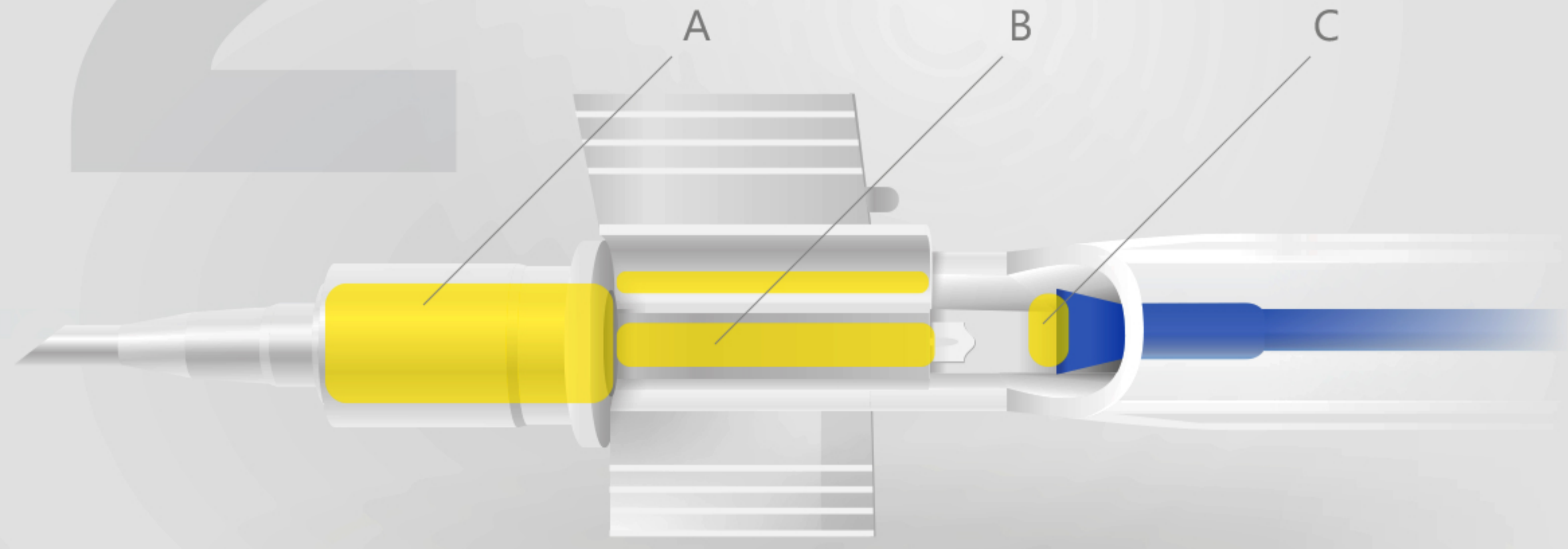
LOADING GUIDE

1stQ AddOn® with Medice ACCUJECT™ Injector

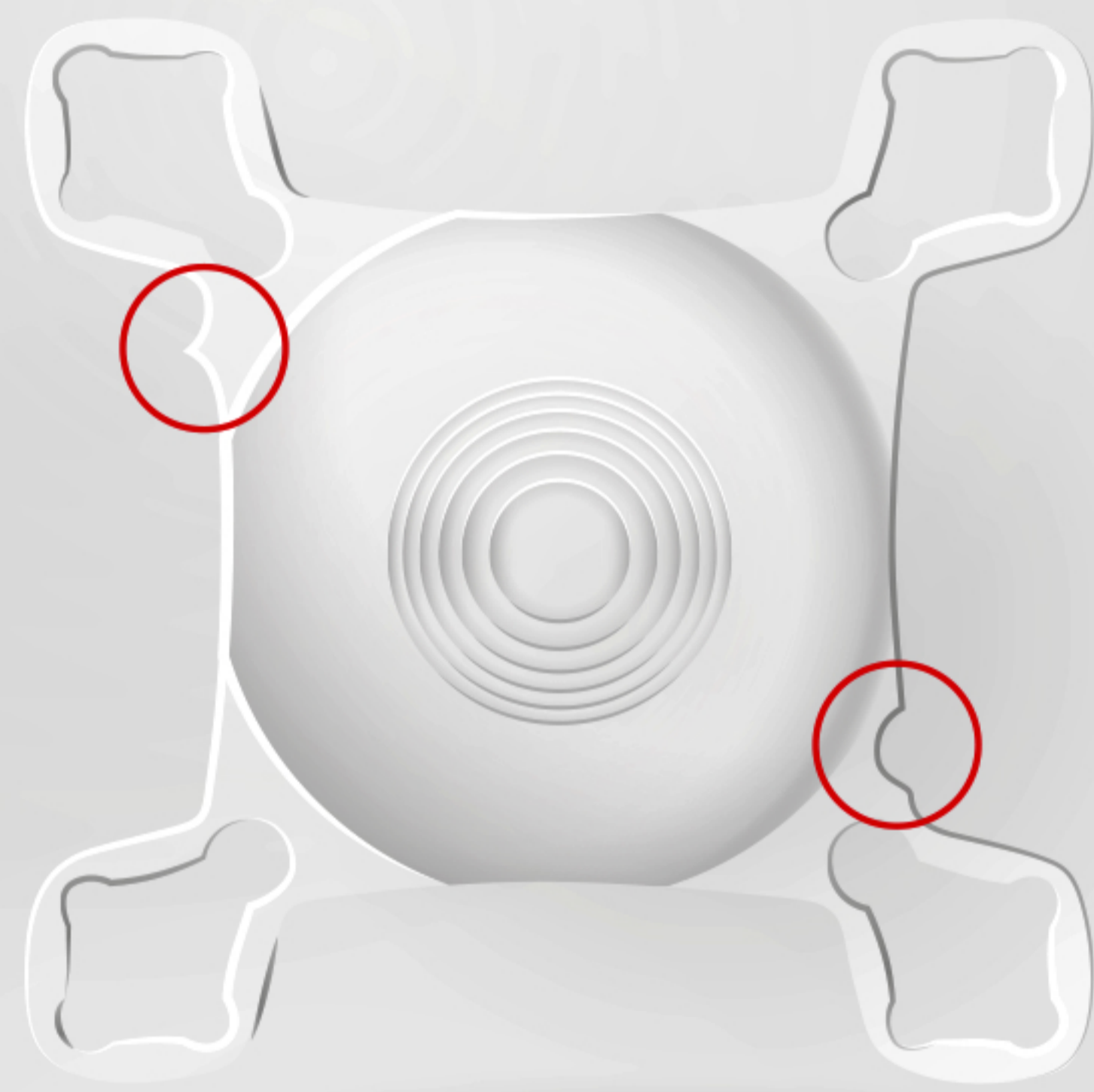
1 Hold the ACCUJECT™ injector with the **cartridge wings wide open**.



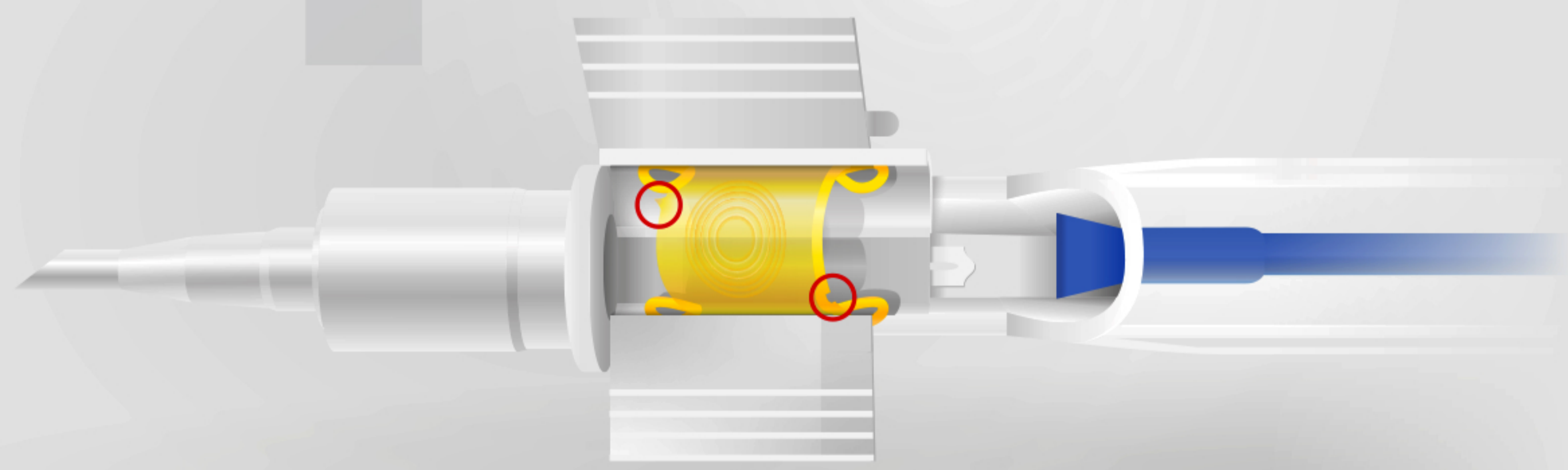
2 Apply a **viscoelastic** inside the **nozzle (A)** and **grooves (B)** of the loading chamber. Add a drop of viscoelastic on the **plunger tip (C)**.



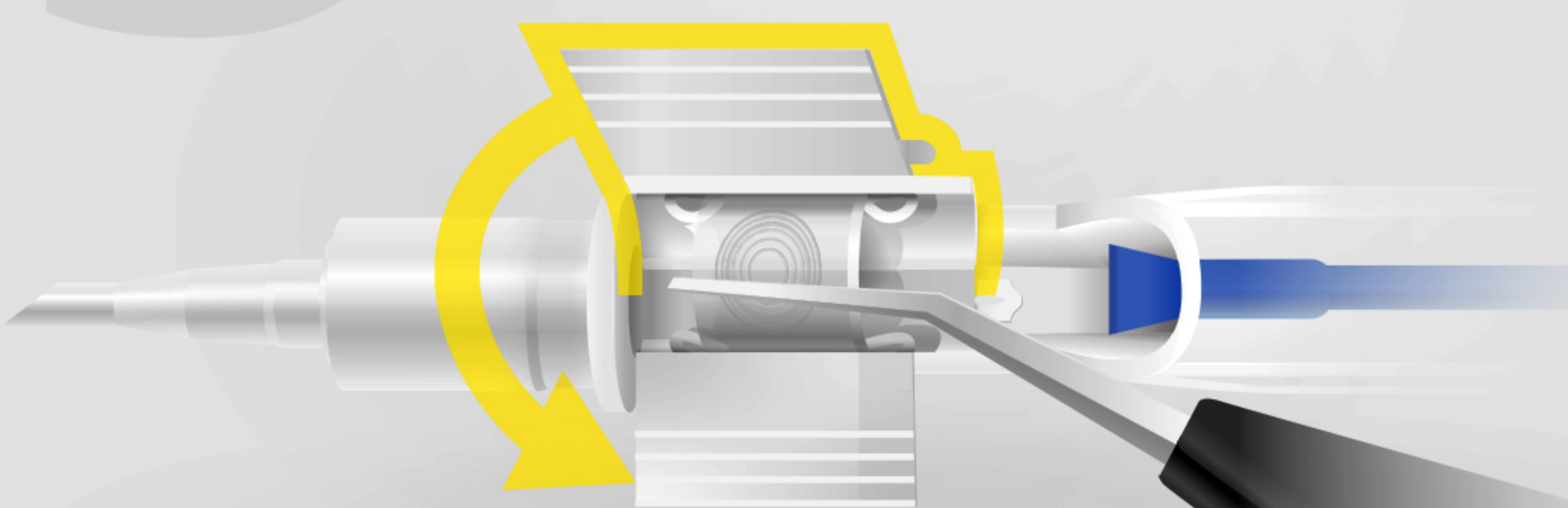
3 **Positioning the lens:**
The markings should be at **4 o'clock** to the right, and **10 o'clock** to the left of the optic.



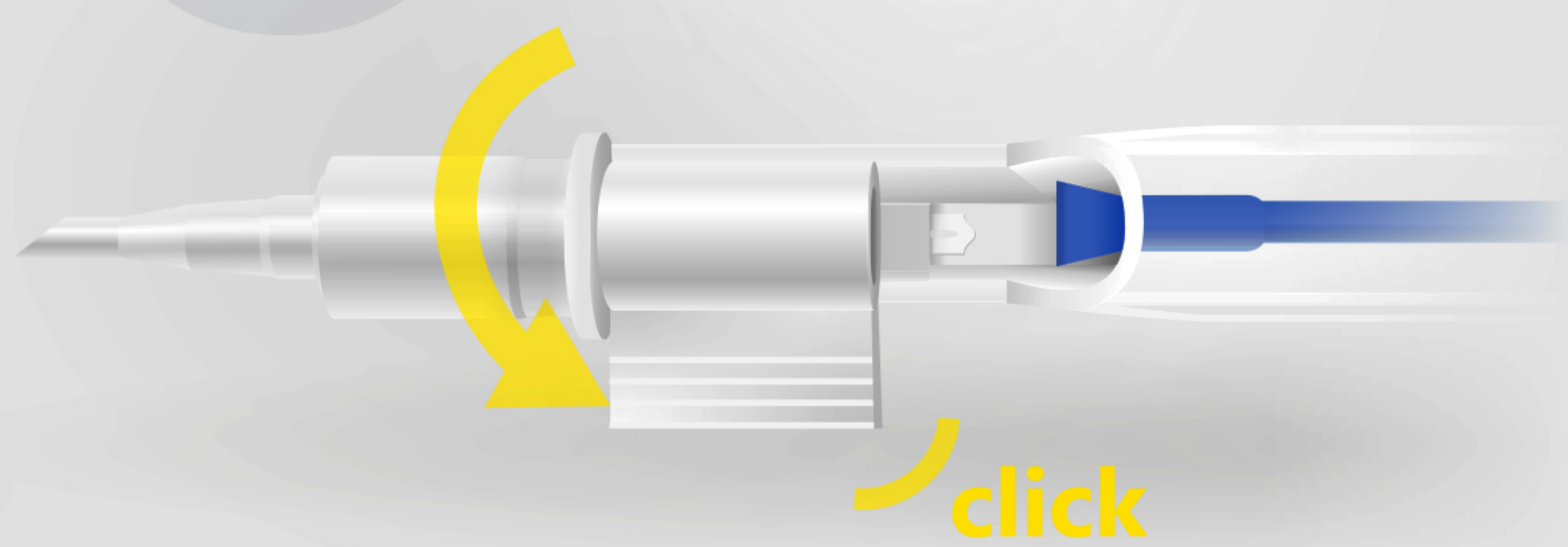
4 Position the lens in the loading chamber in a **„reverse U” position**:
Ensure that the edges of the haptics are securely positioned **under the guiding rims**.



5 With forceps hold the lens in position to ensure that the **edge of the optic** stays securely positioned **under the guiding rims**.



6 Close the cartridge wings together until the **click-lock mechanism** engages. Visually observe that the lens is **symmetrically folded** within the loading chamber and **not trapped**.



7 Apply **push-pull technique**:
First **push the lens** into the conical part of the nozzle.
Then **pull the plunger back** until the silicone tip is separated from the trailing haptics.
Inject the lens continuously in a slow, controlled manner until the lens has fully unfolded.

push-pull-inject



8 **Verify** correct sulcus placement.

Current quick-guide is a reminder only and shows the main steps of the 1stQ AddOn® IOL loading into an ACCUJECT™ injector. Before implanting a 1stQ AddOn® IOL with the ACCUJECT™ injector, please read the entire IFU for loading instructions. For further information, please contact your local representative/distributor.